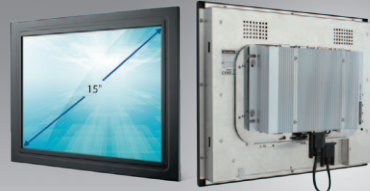


C-BUNDLE-ARK1550-1

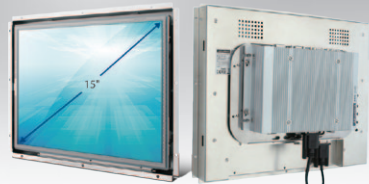
C-BUNDLE-ARK1550-2

15" Intel® 4th Generation Core i5 Modular Fanless Panel PC

NEW



Panel Mount Modular Panel PC



Open Frame Modular Panel PC

Features

- Intel® Core i5 4300U 1.9 GHz, support up to 1080p@90fps video playback
- 8 GB DDR3L memory support
- Support 1 x hot-swappable 2.5" SATA HDD bay
- 15" XGA, 400nits LCD backlight with 5-wire resistive touch
- 1 x HDMI, 2 x GbE, 1 x USB 2.0, 2 x USB 3.0, 1 x RS232, 2 x RS232/422/485, GPIO, Line in, Line out
- Optional WLAN, WWAN and mSATA storage module
- Open frame/Panel mount and VESA mount compliance

Specifications

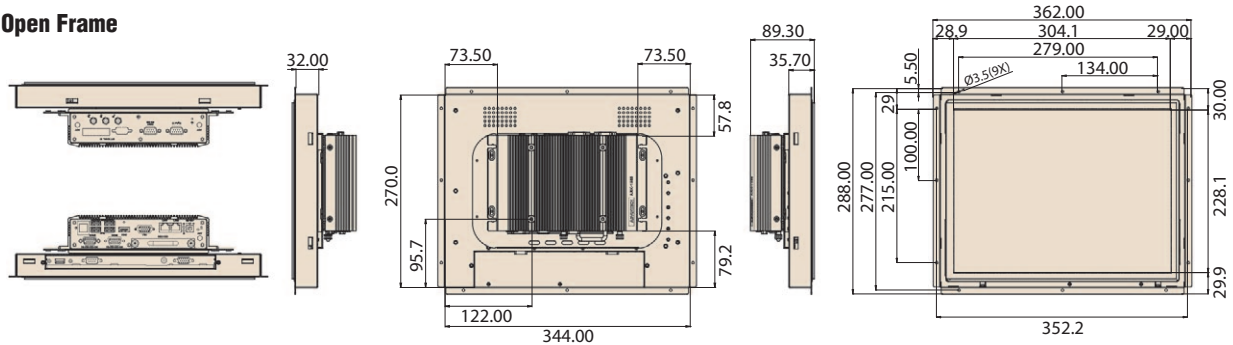
		C-BUNDLE-ARK1550-1	C-BUNDLE-ARK1550-2
		15" Open Frame Modular Panel PC	15" Panel Mount Modular Panel PC
System	CPU	Intel i5-4300U Dual Core 1.9 GHz	
	BIOS	AMI EFI 128 Mbit	
	Memory	DDR3L-1600 MHz 8GB (1 x 204-pfin SO-DIMM)	
	Chipset	Intel i5-4300U	
	I/O	1 x HDMI, 2 x GbE, 2 x USB 3.0, 1 x RS232, 2 x RS232/422/485, GPIO, Line in, Line out 1 x VGA*, 2 x USB 2.0* *1 x VGA and 1 x USB are occupied by 15" monitor	
	Storage	1 x Hot Swappable 2.5" SATA drive bay (Max Height 9.5 mm) 1 x mSATA (MiniPCIe #1 slot)	
	Expansions	1 x Full-size Mini PCIe, support mSATA storage or WWAN module (Mini PCIe #1) 1 x Half-size Mini PCIe, support WLAN module (Mini PCIe #2)	
	Audio	Realtek ALC888, High Definition Audio. Line-out, Mic-in, Line-in	
	Power Input Voltage	12 V _{DC}	
	Software Support	WES8, WES7, Windows 8, Windows 7	
Operating Temp	-20 ~ 55° C		
Storage Temp	-40 ~ 85° C		
Regulation	CE, FCC, CB, UL, CCC, BSMI		
Monitor	Display Size	15"	
	Max. Resolution	1024 x 768 (XGA)	
	Brightness	400 (cd/m ²), LED backlight	
	Viewing Angle	80°/80° (H), 70°/70° (V)	
	Color Support	16.2M / 262k colors	
	Contrast Ratio	700:1	
	Response Time	25 [msec]	
	Backlight Life (hrs)	50,000 hrs	
	Power Input Voltage	12 V _{DC}	
	OSD	Keys: Menu, Up, Down, Auto Adjust, Monitor Power on/off Menu Functions: Brightness, Contrast, Screen Setting, Color Temp, Language	
Operating temp	-20 ~ 60° C		
Storage Temp	-30 ~ 70° C		
Regulation	CE, FCC, CCC		
Touchscreen	Surface Hardness	3H	
	Durability	10 million touches	
	Transparency	80% ± 3%	
Mechanical	Dimensions (W x H x D)	365.0 x 291.0 x 89.3 mm (14.23" x 11.34" x 3.48") (With Mounting kit)	365.0 x 291.0 x 91.6 mm (14.23" x 11.34" x 3.57") (With Mounting kit)
	Mounting	VESA mount compliance	

15" Intel® 4th Generation Core i5 4300U Modular Fanless Panel PC

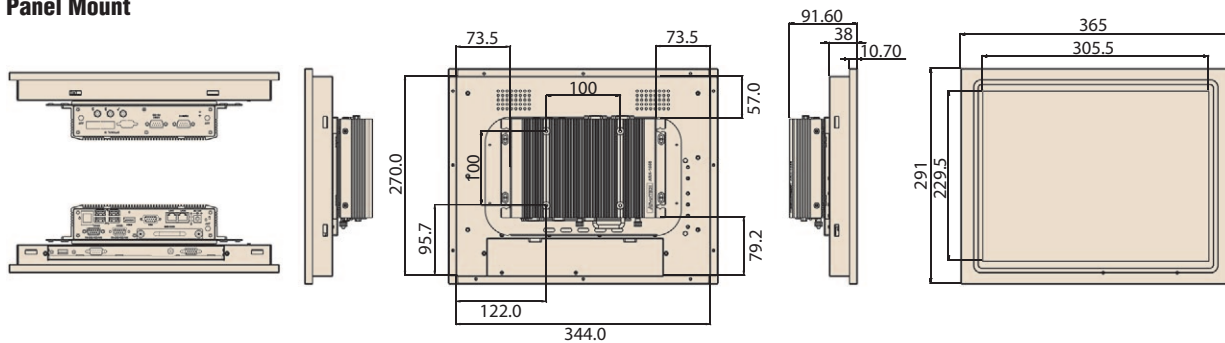
Dimensions

Unit: mm

Open Frame



Panel Mount



Packing List

Part Number	Description
C-BUNDLE-ARK1550-1	1 x 15" Open Frame TFT LCD + ARK-1550-S9A1E + Accessories (See below)
1757004096-01	1x AC/DC adapter DC12V 36W, 0 ~ 40° C, monitor use
1757003934	1x AC/DC adapter DC12V 60W, 0 ~ 40° C, system use
1700023273-01	1 x 15cm VGA cable
1700022248-02	1 x 15cm USB cable
1960025333N031	1 x Vesa mounting bracket
C-BUNDLE-ARK1550-2	1 x 15" Panel Mount TFT LCD + ARK-1550-S9A1E + Accessories (See below)
1757004096-01	1x AC/DC adapter DC12V 36W, 0 ~ 40° C, monitor use
1757003934	1x AC/DC adapter DC12V 60W, 0 ~ 40° C, system use
1700023273-01	1 x 15cm VGA cable
1700022248-02	1 x 15cm USB cable
1960025333N031	1 x Vesa mounting bracket

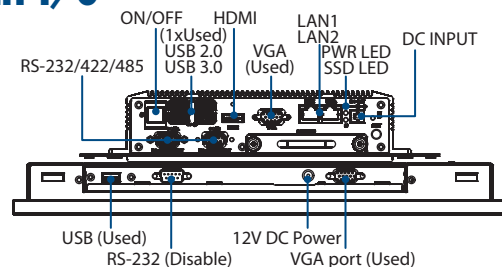
Optional Items

Part Number	Description
1700001524	Power Cable 3-pin 180 cm, USA type, monitor use
1702002600-01	Power Cable 3-pin 183 cm, USA type, system use
170203183C	Power Cable 3-pin 180 cm, Europe type, monitor use
1700018705	Power cable 3-pin 183 cm, Europe type, system use
170203180A	Power Cable 3-pin 180 cm, UK type, monitor use
1700018704	Power cable 3-pin 180 cm, UK type, system use

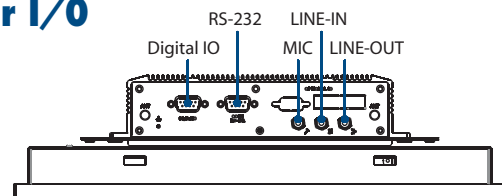
Embedded OS

Part Number	Description
2070012825	WES7E 64bit with EN/JP/TC/SC (OS size around 11G)
2070012882	WES8 64bit with EN/JP/TC/SC (OS size around 13G)

Front I/O



Rear I/O



Back View

